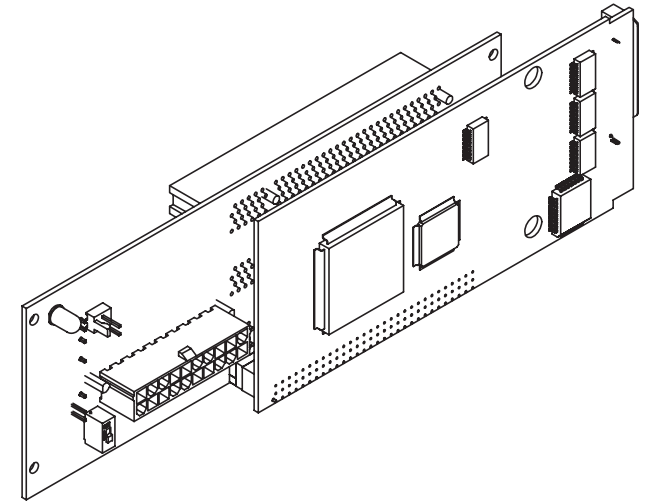
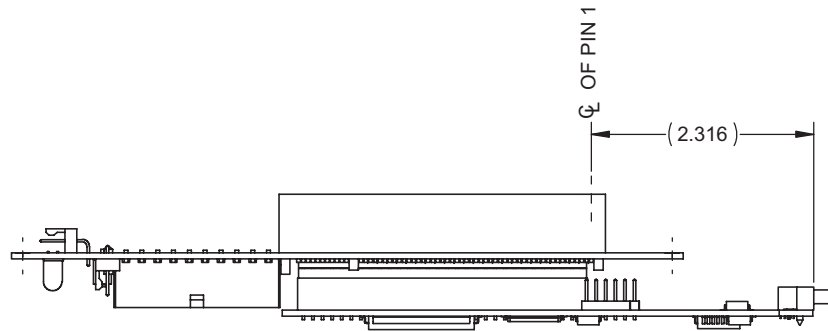


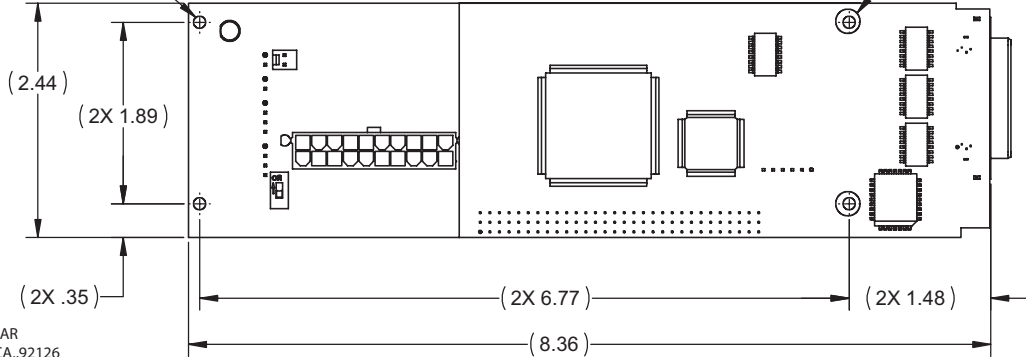
EXPLODED ISOMETRIC VIEW



ASSEMBLED ISOMETRIC VIEW



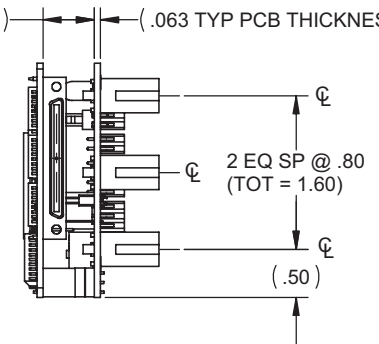
4X Ø.125 PLATED THRU HOLE  
Ø.250 PAD



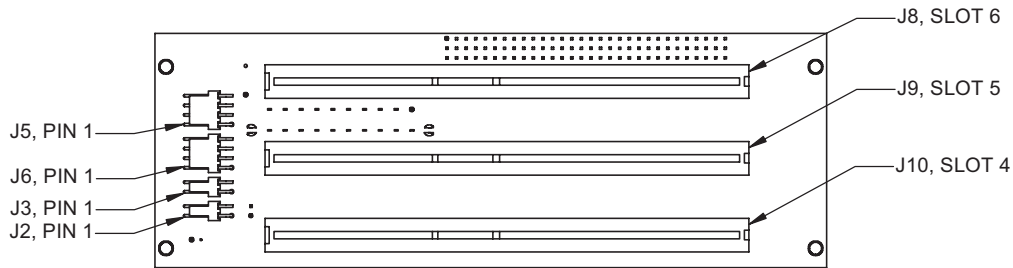
2X Ø.250 UNPLATED HOLE  
(CLEARANCE FOR SCREWDRIVER)

(.535)

(.063 TYP PCB THICKNESS)



CB364NE PCI BOARD SET  
00-04422-01



CONNECTOR "J1"	
MOLEX 39-29-9202	
PIN	SIGNAL
1	+3.3V
2	+3.3V
3	GND
4	VCC (+5VDC)
5	GND
6	VCC (+5VDC)
7	GND
8	POWER-OK
9	5VSB
10	+12V
11	+3.3V
12	-12V
13	GND
14	PS-ON
15	GND
16	GND
17	GND
18	-5V
19	VCC (+5VDC)
20	VCC (+5VDC)

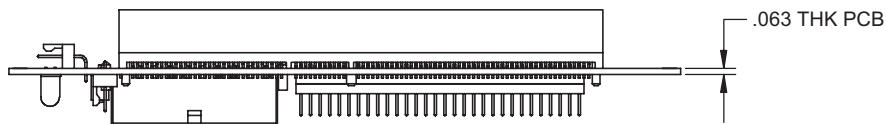
CONNECTOR "J2"	
MOLEX 22-05-7028	
PIN	SIGNAL
1	+12V w/RES
2	FANGND

CONNECTOR "J5"	
MOLEX 22-05-7048	
PIN	SIGNAL
1	GND
2	PS-ON SW
3	GND
4	LED

CONNECTOR "J3"	
MOLEX 22-05-7028	
PIN	SIGNAL
1	+12V
2	FANGND

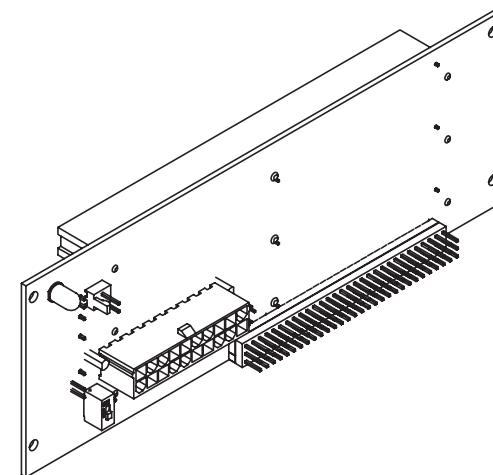
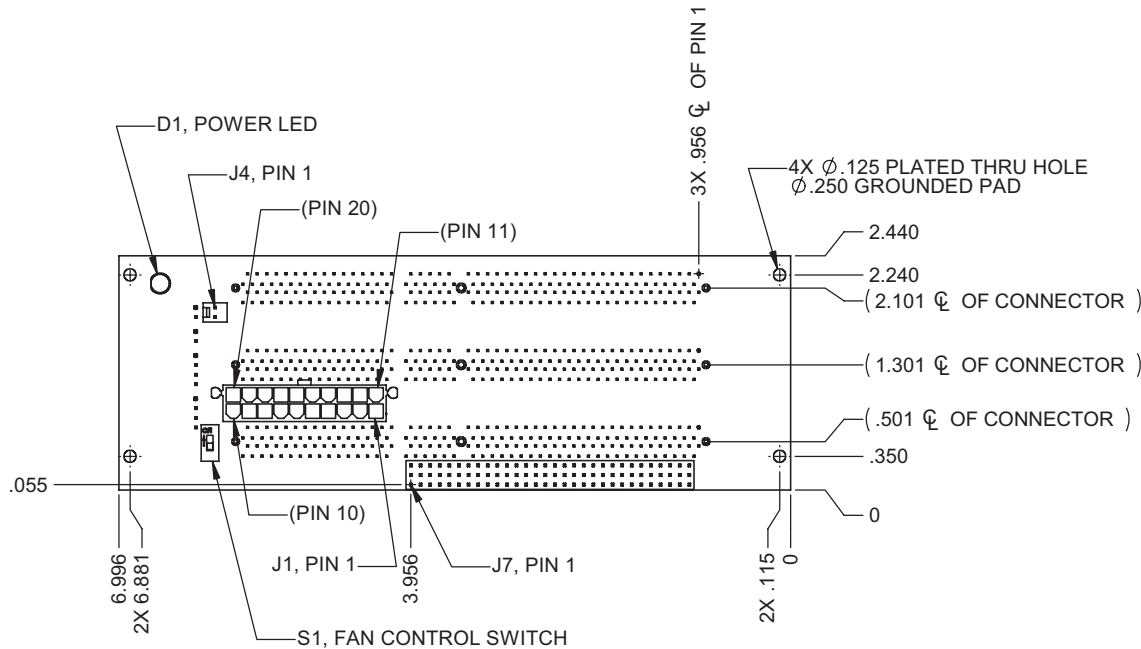
CONNECTOR "J6"	
MOLEX 22-05-7048	
PIN	SIGNAL
1	GND
2	HDD LED
3	GND
4	PWR LED

CONNECTOR "J4"	
MOLEX 22-29-2021	
PIN	SIGNAL
1	GND
2	HDD LED

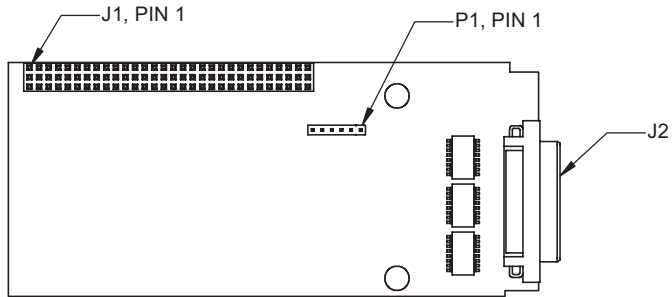


CONNECTOR "J7"  
 SAMTEC ZW-30-08-S-T-200-125  
 PINOUT NOT SUPPLIED (CALL MAGMA FOR ASSISTANCE)

CONNECTORS "J8, J9 & J10"  
 AMP 145166-8  
 PINOUT NOT SUPPLIED (CALL MAGMA FOR ASSISTANCE)



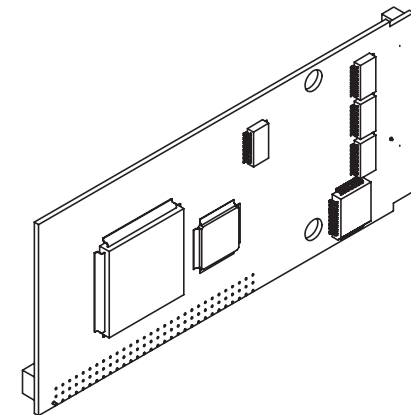
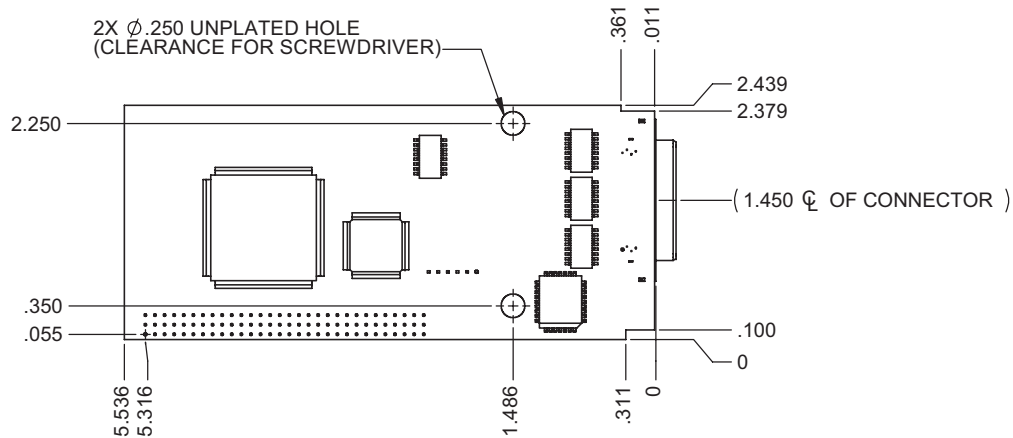
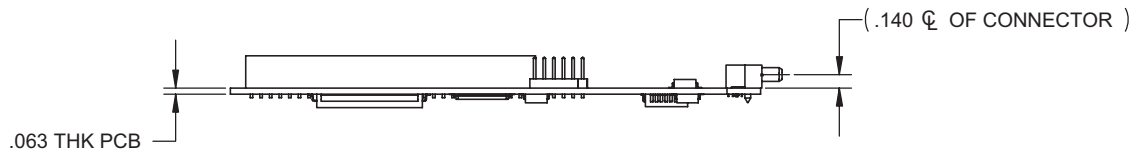
3-SLOT PCI EXPANSION BACKPLANE  
 01-04440-03



CONNECTOR "J1"  
 SAMTEC SSQ-130-01-S-T-200-125  
 PINOUT NOT SUPPLIED (CALL MAGMA FOR ASSISTANCE)

CONNECTORS "J2"  
 AMP 787254-1  
 PINOUT NOT SUPPLIED (CALL MAGMA FOR ASSISTANCE)

CONNECTOR "P1"  
 FOR MAGMA USE ONLY



PCI EXPANSION INTERFACE PCA  
 01-04577-01