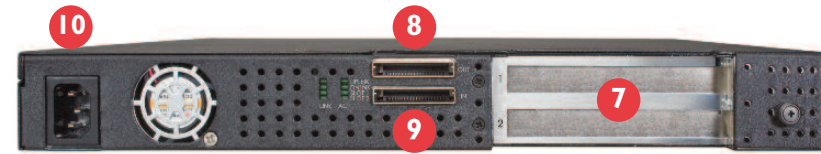


### ExpressBox² – Top View

1. Two PCI Express slots
2. Backplane cooling fan assembly with card guides for full-length cards
3. 200W, 100-240V, 47-63HZ Power Supply
4. Space for up to two 3.5" or four 2.5" internal hard drives

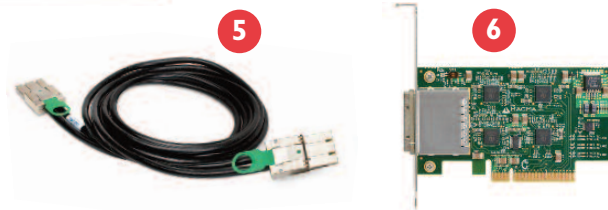


### ExpressBox² – Rear View

7. PCI Express card slot openings
8. iPass connector to downstream expansion chassis
9. iPass connector to host computer
10. Power cord socket

### Hardware Included


5. iPass cable
6. PCI Express host card



### How to Buy:

All Magma products can be purchased online at <a href="http://www.magma.com">www.magma.com</a> or through a reseller.	<b>Model Names:</b>	<b>Options:</b>
	<p>EB2: 2 Slot PCI Express Expansion, 1U form factor, for laptops Includes: ExpressCard, iPass x8 to TDP cable, Quiet fans</p> <p>EB2R: 2 Slot PCI Express Expansion, 1U form factor, for desktop/server Includes PCI Express Host Card, iPass cable, high CFM fans, Rack mount slides</p>	<p>Contact Magma Sales for: Conversion of EB2 to EB2R Conversion of EB2R to EB2</p>

### Specifications:

<b>Backplane</b> (2) PCI Express slots x16 connectors, x8 slot speeds	<b>Host Connections and Power Consumption</b> x8 PCI Express Interface Card, x8 slot speeds Low profile 4 Watt power consumption PCI Express Bus Specification Revision 1.1	<b>Regulatory Compliance</b> FCC Class A Verified CE RoHS Compliant
<b>Cable</b> EB2R: 3-meter iPass Cable EB2: 3-meter TDP Cable	<b>Chassis Power Supply</b> AC Input: 100-240 VAC Input Frequency: 47-63HZ Input Current: 6.3A Max DC Output: 200 Watts Max +12Vdc 15.0A maximum -12Vdc 0.3A maximum +5Vdc 13.0A maximum -5Vdc 0.5A maximum +5Vdc (sb) 2.0A maximum +3.3Vdc 17.0A maximum Four 4 pin Molex HD Power Connectors	<b>Supported Operating Systems</b> Windows XP/Vista 2000 Server 2003 MacOS X 10.4+ Linux Kernel 2.6x+ Solaris
<b>Interconnect Bandwidth</b> 2GBytes/sec simplex 4GBytes/sec full duplex	<b>Warranty</b> 30 day money back guarantee 1 year parts and labor	 <b>Magma</b> 9918 Via Pasar, San Diego California 92126 Toll Free: 1.800.285.8990 Telephone: 1.858.530.2511 Fax: 1.858.530.2733 E-mail: <a href="mailto:sales@magma.com">sales@magma.com</a>  A Service Disabled Veteran Owned Small Business ISO9001:2000 Certified  © 2008 Magma. Magma is a trademark of Mission Technology Group, Inc. All other brand names and logos are trademarks or registered trademarks of their respective owners. United States and foreign patents pending. Specifications are subject to change without notice. 70-02360-40-A
<b>Enclosure</b> 1U Rack-mount 14.3" wide, 1.75" High, 16.3" Depth 6.0 lbs or 2.7Kg	<b>Environmental</b> Ambient Temperature 0° to 50° C Storage Temperature -20° to 60° C Relative Humidity: 5% to 85% non-condensing	
<b>System Cooling</b> EB2R: Two 40 x 20 mm, 15.8 CFM Backplane fans EB2: Two 40 x 20 mm, 5.9 CFM Backplane fans Power Supply Has Integral Cooling Fan	<b>Hard Drive Support</b> Drive brackets for 2 hard drives	<b>MTBF</b> 53,000 Hours

# ExpressBox²

2 Slot PCI Express® Expansion System

Model EB2/EB2R



Seamlessly expand your desktop, server, workstation and laptop with PCI Express Slots

- Add 2 full-length or 1 double-wide PCI Express cards through a single PCIe (desktop) or ExpressCard (laptop) slot
- Supports most PCI Express form factors



The Magma PCI Express to PCI Express Expansion system provides a simple, cost-effective solution for expanding the available PCI Express slots of workstations and servers. This provides an efficient way to maximize your workstation or server's total I/O capability and limit the number of CPUs required in your system.

### Cost-effective Solution for Expanding I/O capacity

Magma's ExpressBox<sup>2</sup> provides the ability to expand the I/O capabilities of workstation and servers by allowing for the addition of PCI Express slots. These much needed slots can then take full-length PCI Express I/O cards. This is accomplished with a host card in one slot of the host backplane connected to the chassis via a cable.

### Easy Installation

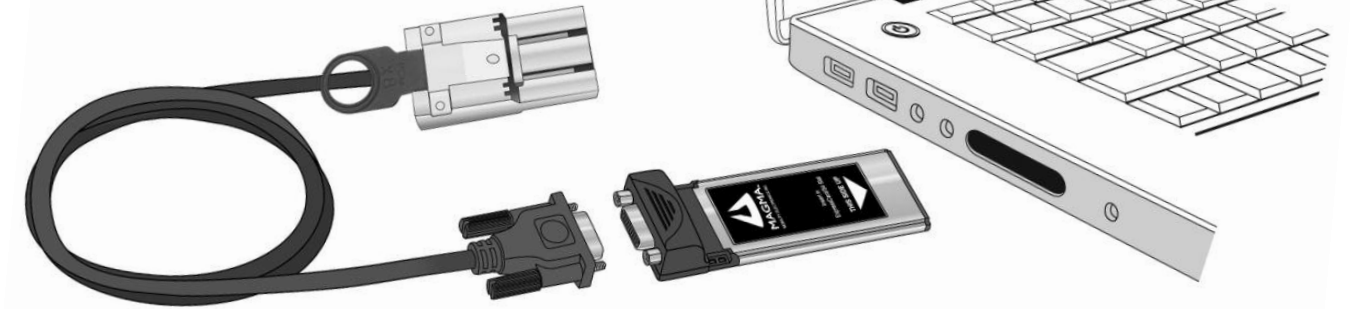
Magma ExpressBox<sup>2</sup> consists of a PCI Express Host Card, a cable and a chassis. Magma ExpressBox<sup>2</sup> is automatically configured by the System BIOS making all of the slots appear transparent to the host computer.

### Optimal method to enhancing your PCI Express I/O capabilities

ExpressBox<sup>2</sup> is an expansion chassis in 1U in height that provides 2 full-length PCI Express slots to the host. These chassis can be daisy-chained to provide as many PCI Express slots as the Root Complex of the host will allow.



The ExpressBox<sup>2</sup> provides PCI Express expansion for laptops with the optional Magma ExpressCard and TDP interface cable.



Link lights on the EB2 back panel verify the uplink between the expansion chassis and host machine, and assure each PCI Express card is connected properly.

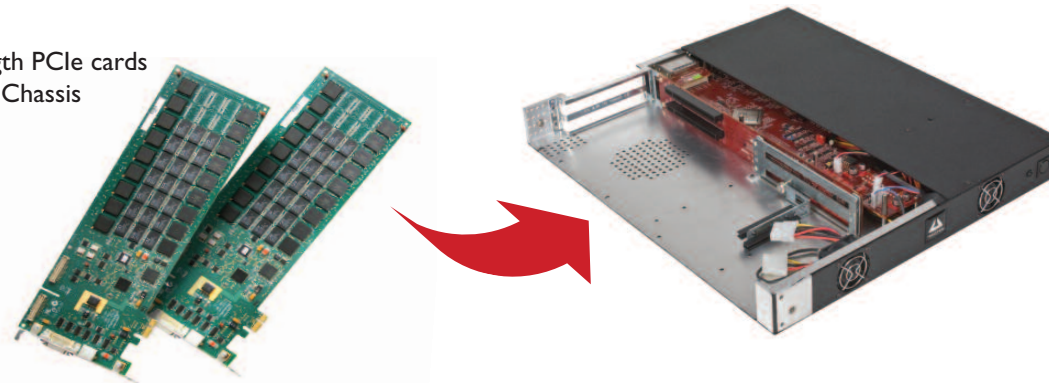


Rugged iPass cable is available in 3-meter cable lengths.

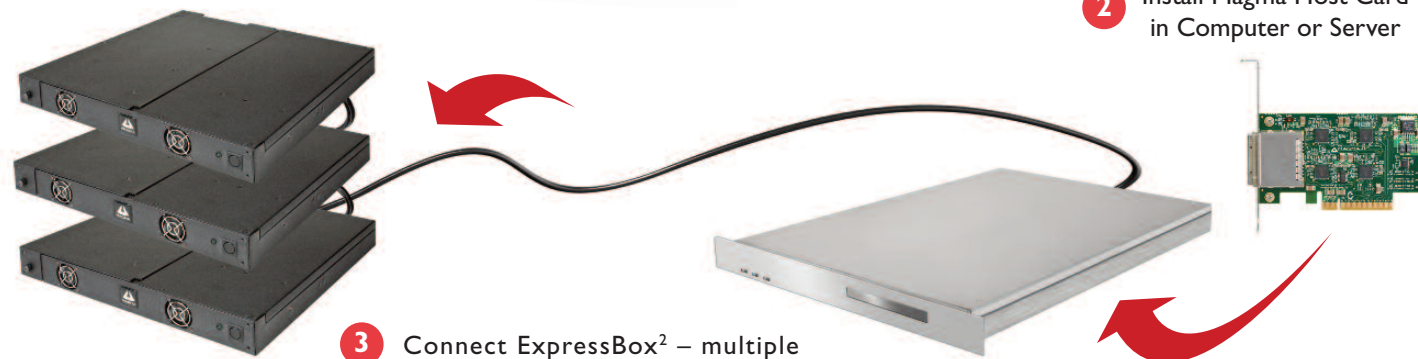


## How it Works

1 Install 2 full-length PCIe cards in ExpressBox2 Chassis



2 Install Magma Host Card in Computer or Server



3 Connect ExpressBox<sup>2</sup> – multiple expansion chassis can be daisy-chained without requiring additional slots



## Benefits:

- Industrial solution for adding up to 2 PCI Express cards to one computer
- Attach full-length PCI Express cards to computer with limited card space
- Low profile host card allows for easy installation in low profile computers
- Supports Hot Swappable PCI Express slots
- Supports peer to peer transfers between cards in slots of the expansion chassis
- Built-in auxiliary power connection to PCI Express cards
- Supports automatic power up control of the chassis by the host
- Supports user selectable bypass of Hot Swappable feature

## Features:

- Easy "Plug and Play" installation
- Easily visible LEDs indicate correct installation
- Includes x8 PCI Express host card and 3 meter iPass cable
- All slots support any combination of x1, x4, x8 and x16 PCI Express cards
- Transparent extension of PCI Express signals outside the computer
- All slots support full-length cards
- 1U rack-mount enclosure
- 200W power supply
- Dedicated fan for cooling cards with high heat dissipation
- Thermister controlled fan speeds help reduce unnecessary noise
- CE certified and FCC Class A verified
- RoHS compliant
- 30 day money back guarantee